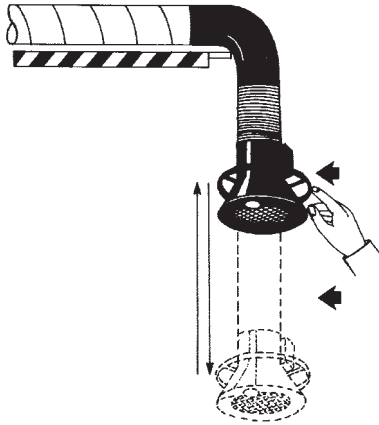


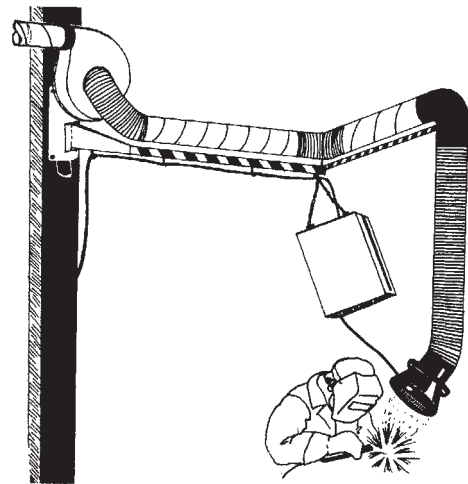
# Esempi di montaggio

Easy and precise

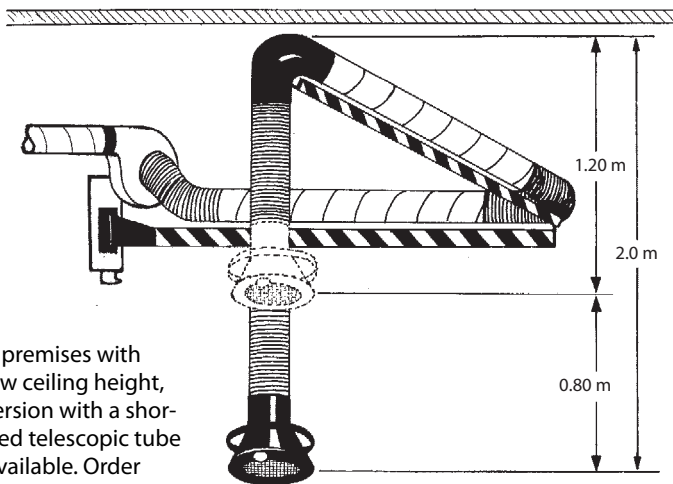
The hood is perfectly balanced by a counterweight and can be adjusted with "one finger". It always stays exactly where you position it.



Column mounted with suspended wire-feeder



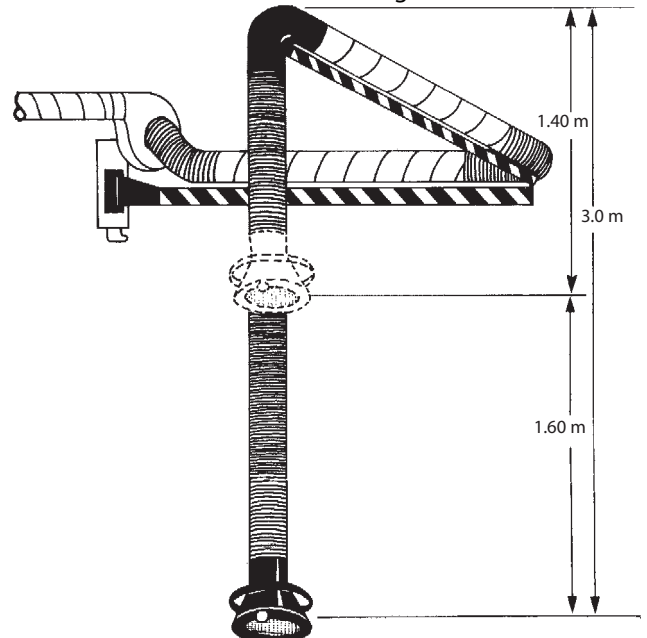
Wall mounted - low ceiling



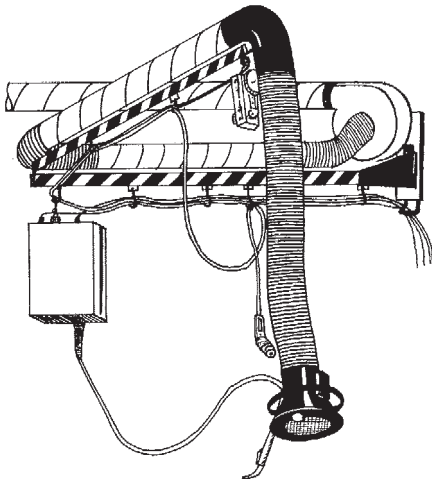
For premises with a low ceiling height, a version with a shortened telescopic tube is available. Order Extractor Crane with short telescopic section.

(UK-3016X, UK-4516X, UK-6016X, UK-8016X)

Wall mounted - normal ceiling

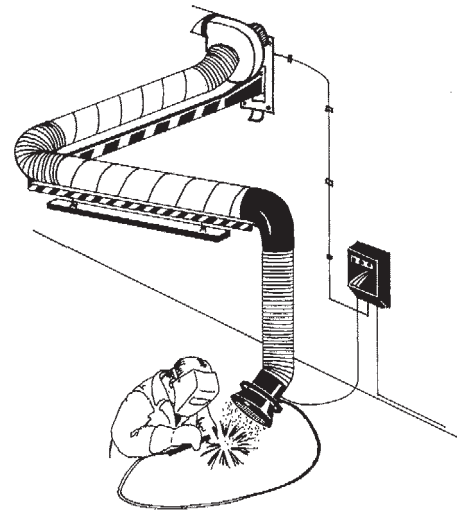


Mounted with welding cable and compressed air tools suspended



Wall mounted with lamp cartridge

The halogen lamp cartridge in the hood gives intense "at-source" illumination.



## Some suggestions on how to plan the welding booth

Up to four Extractor Cranes can be easily mounted on one column. This column can also be used to support the ventilation ductwork.

